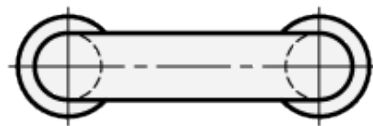
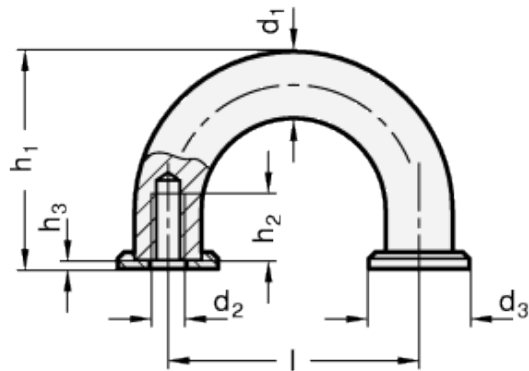


# GN 224.5

Handles



INOX  
Stainless Steel



## technical informations

### Material

AISI 303 stainless steel. Round cross section bar, matt brush-finished.

### Assembly

Tapped blind holes.

### Washers

Stainless steel, supplied not assembled.

Standard Elements	Main dimensions					Mounting holes		Weight
Description	d <sub>1</sub>	l	d <sub>3</sub>	h <sub>1</sub>	h <sub>3</sub>	d <sub>2</sub>	h <sub>2</sub>	g
GN 224.5-8-30	8	30	8	26	1	M4	8	20
GN 224.5-10-40	10	40	8	31	1	M4	8	40

---



STANDARD MACHINE ELEMENTS WORLDWIDE